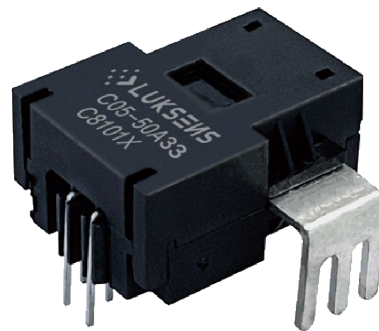


# C05-XXA33 Series Current Sensor

The C05-XXA33 series current sensor provides efficient and precise sensor solutions for AC, DC and pulse currents in industrial, commercial and communications systems. It consists of three main components: an accurate low-temperature drift linear hall sensor, a flux collector and a current transformer. It offers markedly low resistance, reducing power loss and temperature drift to deliver exceptional performance.



## Features

- Non-contact measurement of high current
- Output voltage proportional to carried current
- Max. measuring range  $\pm 125\text{A}$  (DC or AC peak)
- High output range up to  $\pm 460 \text{ mV}/I_{pn}$
- Single supply +3.3V
- Electrical isolation between the primary conductor and the sensor output
- Superior temperature stability and linearity
- High frequency bandwidth 500kHz
- Compact size for applications with limited space
- RoHs compliance (Lead-Free)

## Applications

- Home appliances
- Load detections and managements
- Intelligent power/battery management systems
- Welding applications
- Variable speed drives
- Combiner box

## Advantages

- Accurately measures AC, DC and pulse currents
- Fast response  $3\mu\text{s}$ , minimal noise output
- No insertion losses
- High immunity from external interference
- Excellent current overload capacity
- High ESD sensitivity (Human Body Model) 4kV

## Standards

- EN 50178:1997
- IEC 61010-1:2010
- IEC 62109-1: 2010

## Absolute maximum ratings

Symbol	Parameter	Min.	Max.	Unit
$V_{DD\ max.}$	Maximum supply voltage (not destructive)	-0.3	6.5	V
$I_{PM}$	Maximum measuring current	-125	125	A
$T_{PC}$	Primary conductor temperature		120	°C
$T_A$	Ambient operating temperature	-40	105	°C
$T_S$	Storage temperature range	-40	105	°C
$V_{ESD-HBM}$	ESD sensitivity HBM (Human Body Model)		4	kV

Stresses above these ratings may cause permanent damage. Exposure to absolute maximum ratings for extended periods may degrade reliability.

## Specifications ( $T_A = 25^\circ\text{C}$ , $V_{DD} = 3.3\text{V}$ )

Symbol	Parameter	Test condition	Min.	Typ.	Max.	Unit
$V_{DD}$	Supply voltage		3	3.3	3.6	V
$I_C$	Current consumption	$I_P=0\text{A}$ without load		14	20	mA
$I_{PN}$	Current nominal measuring range	C05-10A33	-25	$\pm 10$	25	A
		C05-16A33	-40	$\pm 16$	40	
		C05-20A33	-50	$\pm 20$	50	
		C05-32A33	-80	$\pm 32$	80	
		C05-40A33	-100	$\pm 40$	100	
		C05-50A33	-125	$\pm 50$	125	
$R_L$	Output load resistance	$V_{OUT}$ to GND	5			k $\Omega$
$C_L$	Output load capacitance	$V_{OUT}$ to GND		1	10	nF
$G$	Nominal sensitivity (customized available)	C05-10A33		46		mV/A
		C05-16A33		28.75		
		C05-20A33		23		
		C05-32A33		14.375		
		C05-40A33		11.5		
		C05-50A33		9.2		

## Specifications ( $T_A = 25^\circ\text{C}$ , $V_{DD} = 3.3\text{V}$ )

Symbol	Parameter	Test condition	Min.	Typ.	Max.	Unit
$V_{REF1}$	Internal reference voltage	$I_p = 0\text{A}$	1.63	1.65	1.67	V
$V_{OE}$	Offset voltage $V_{OE} = V_0 - V_{REF1}$ (customized available)	$I_p = 0\text{A}$	-10		10	mV
$T_{CVOE}$	Temperature coefficient of $V_{OE}$	$T_A = -40^\circ\text{C} \dots 105^\circ\text{C}$	-0.3	$\pm 0.1$	0.3	mV/K
$T_{CG}$	Temperature coefficient of G	$T_A = -40^\circ\text{C} \dots 105^\circ\text{C}$ (except $T_{CVOE}$ )	-0.5	$\pm 0.3$	0.5	mV/K
$E_L$	Non-linearity error	$\pm I_{PN}$ without offset	-0.5		0.5	%/ $I_{PN}$
<b>BW</b>	Frequency bandwidth (-3dB)				500	kHz
$T_R$	Step response to 90% $I_{PN}$	(Design target)		3		$\mu\text{s}$
$R_{PRIMARY}$	Primary conductor resistance	$T_A = 25^\circ\text{C}$		1		m $\Omega$

## Insulation characteristics

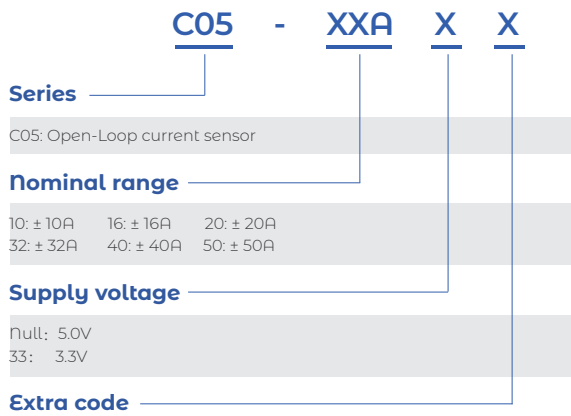
Symbol	Parameter	Value	Unit	Comment
$V_D$	Insulation voltage for isolation, 50Hz, 1 min	4300	V	
$R_{ISO}$	Isolation resistance @500VDC	>500	m $\Omega$	
<b>D-CLE</b>	Clearance	>8	mm	Shortest distance through air
<b>D-CRD</b>	Creepage distance	>8	mm	Shortest distance through body

## General characteristics

Symbol	Parameter	Value	Unit	Comment
<b>m-HSE</b>	Housing material	V0		Flame retardant UL 94
<b>m-FC</b>	Flux collector material	Mn-Zn ferrite		Superior magnetic permeability
<b>m</b>	Mass	6	grams	



## Name Guide Description



### Notes

The content of this document is subject to revision without notice. Luksens shall have no liability for any error or damage of any kind resulting from the use of this document.

# Safety and Environment



The product is to be installed by manufacturer trained personnel or competent person trained in accordance with manufacturer installation instructions.

With respect to applicable standards IEC 61010-1/ EN 61010-1 *safety requirements for electrical equipment for measurement, control and laboratory use part 1 general requirements*, the product should be used in limited energy secondary circuits.



## Risk of electrical shock

Certain parts of the module can carry hazardous voltage during the operation process of the product because hazardous live voltage of primary conductor, power supply occurs, injury and/or serious damage will be caused if this warning is ignored.

Conducting parts must be inaccessible after installation of the product. Additional protection including shield or protective housing could be used according to IEC 60664 Insulation coordination for equipment within low-voltage supply systems.

Disconnection of the main supply will protect against possible injury and serious damage.



## ESD protection

Damage from an ESD event will occur if the personnel is not well grounded when handling.

## Important notice

Luksens reserves the right to change the specifications, including all statements and data appearing in Luksens' catalogues, data sheets and advertisements, without notice. Luksens will publish the modified specifications on its website. If such changes to specifications are made, Luksens shall have no obligation to provide the change on Products previously purchased. The information included herein is believed to be accurate and reliable. However, since additional design, measure, production, quality control take effect in the end product, therefore Luksens shall have no liability for any potential hazards, damages, injuries or loss of life resulting from the end product. Luksens products are not to be used in any equipment or system, including but not limited to life support equipment or systems, where failure of Luksens products may cause bodily harm.